



ENJOY LISTENING TO THE OCEAN BREEZE



The noise level of our toilets has been optimized in real conditions by our R&D Department.

CATALOGUE
2025



INNOVATION



BY SFA GROUP

WORLD LEADER IN
SANITARY EQUIPMENT

Living on a boat means choosing the freedom offered by the sea. Freeing yourself from the constraints of paths roads and schedules.

Living on a boat is about evolving in a warm environment, shared by sailors and guests. Like any freedom, this community life requires respecting others in all its forms.

This includes reducing night noise nuisances in spaces that are often poorly soundproofed.

That's why SFA, the inventor of macerating toilets, is pleased to provide an essential improvement for sailors by offering a new range of toilets which are designed to be quiet.

THE NOISE LEVEL OF OUR TOILETS
HAS BEEN OPTIMIZED IN REAL
CONDITIONS BY OUR R&D
DEPARTMENT ON THE
SOVEREIGN MONOHULL.



SUMMARY

4	New 2025. Benefits
5	Technical information
6-7	Sanimarin Maxlite + / Maxlite +S
8-9	Sanimarin 31
10-11	Sanimarin 32
12-13	Sanimarin 41
14-15	Sanimarin 43
16-17	Sanimarin Best
18-19	Sanimarin Pump
20	Control systems NEW
21	Electrical installation
22	Hydraulic installation
23	110 V - 220 V Range



INSTALLING THE SFA MARINE TOILET

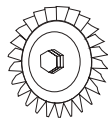
Beyond their **acoustic qualities**, SFA marine toilets remain the reference in terms of performance at all levels (reliability, comfort, energy consumption, etc.), relying on the strong expertise of SFA. The SFA marine collection covers a range of markets from nautical industry professionals to boat owners themselves.

EASY REPLACEMENT FOR HAND-PUMP TOILETS

Provides home comfort on board.

RELIABILITY

Excellent macerating system patented more than 60 years ago for worldwide use.



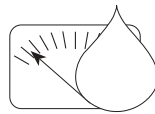
ECOLOGY

The efficient maceration system facilitates tank emptying and cleaning.



WATER AND ELECTRICITY SAVING

Efficient and economical systems, as water and electrical consumption are minimum.



NEW FOR 2025

MAKE YOUR CHOICE EASILY!

To simplify your orders while optimizing logistics and storage, SFA is launching a new purchasing method for your toilets*.

SFA now offers you the possibility to choose bowls and control systems separately.

How to choose your SFA marine toilet?

1

Select the model of the toilet and its voltage (12V or 24V).

Depending on the available space and your bathroom configuration, SFA offers various compact models (installation on a raised step) as well as standard-sized models (direct installation on the floor).

2

Select the control system.

Select the control system. Our 3 control systems adapt to all interior styles and budgets, each offering a distinct approach. For more details, please refer to page 20.

*Applies to all models except Sanimarin Maxlite + and Sanimarin Maxlite +S.

TECHNICAL INFORMATION

MADE IN
FRANCE

Eco-friendly pump systems give you flexibility in your installation as the toilet and black water tank can be several meters away.

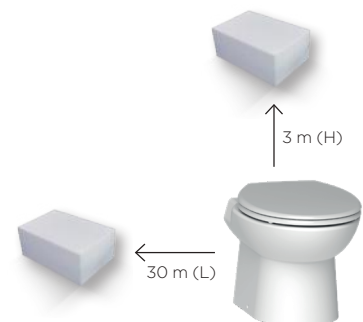
Outlet diameter	38 mm or 25 mm
Supply voltage	12 V or 24 V DC
Electricity consumption	<ul style="list-style-type: none"> - Per second (Comfort) 12V: 0.007 Ah / 24V: 0.004 Ah - Automatic cycle (Premium, Luxe) Eco cycle: 8 s 12 V: 0,056 Ah / 24 V: 0,032 Ah Normal cycle: 15 s 12 V: 0,105 Ah / 24 V: 0,060 Ah
Current consumption	12 V (300 W) : 25 A 24 V (360 W) : 15 A
Electrical wire diameter	12 V : 1,5 mm ² = 1 m max / 2,5 mm ² = 2 m max / 4 mm ² = 3 m max / 6 mm ² = 4,3 m max 24 V : 1,5 mm ² = 3,5 m max / 2,5 mm ² = 6 m max / 4 mm ² = 9,5 m max / 6 mm ² = 14 m max
Water consumption	Comfort: quantity decided by the user Premium and Luxe: Eco 1.2 L Normal 2.4 L
Water use	<ul style="list-style-type: none"> - Onboard freshwater: integrated solenoid valve: Maxlite +S, SN31, SN32, SN41, SN43, SNBest - Outside pressurised water via external pump 11 L / min (optional): SN31, SN32, SN41, SN43, SNBest Minimum dynamic pressure: 1.7 bar - Outside water via sea pump integrated in the system: Maxlite +



Features SFA macerating technology



Soft close seat and lead



Discharge parameters

SANIMARIN MAXLITE + / MAXLITE +S

REDUCED HEIGHT



MADE IN
FRANCE

An SFA unit to replace
your manually-operated WC.

MAXLITE +

Sea pump included in
the system for external
water supply

MAXLITE +S

Integrated solenoid valve
for connection to the
pressurized water system
on board.



Ultra-light material
used for bowl
construction



Enables variable
positioning
of the bowl



Reversible motor/pump unit
for right or left hand
installation



Removable soft close
seat





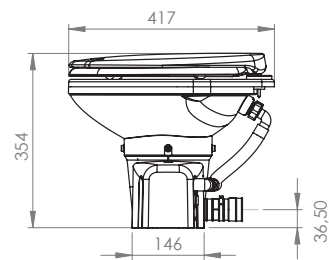
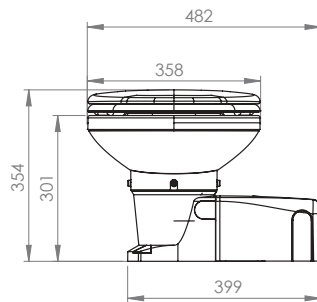
CONTROL SYSTEM

(refer to page 20 for details)

Comfort



DIMENSIONS (mm)



TECHNICAL FEATURES

Discharge parameters	Vertical : 3 m / Horizontal : 30 m
Non return valve	Integrated
Outlet diameter	38 mm or 25 mm
Motor power	300 W (12 V), 360 W (24 V)
Electricity consumption	0,007 Ah (12 V) and 0,004 Ah (24 V) per second (details on page 5)
Water consumption	Quantity decided by the user
Water use	<p>Maxlite + Sea pump included in the system for external water connection</p> <p>Maxlite +S Integrated solenoid valve for connection to the pressurized water system on board</p>

REFERENCES

DESIGNATION	CODE	EAN
Sanimarin Maxlite + Comfort 12 V	SBMPLUS12V	3308815076454
Sanimarin Maxlite + Comfort 24 V	SBMPLUS24V	3308815076461
Sanimarin Maxlite + S Comfort 12 V	SBMPLUS12VEV	3308815077840
Sanimarin Maxlite + S Comfort 24 V	SBMPLUS24VEV	3308815077857

SANIMARIN 31

REDUCED HEIGHT



MADE IN
FRANCE

Thanks to its compact footprint
this model fits easily into confined spaces.



Acoustic
pressure:
52 dB(A)



Mounting
on a raised step



Small
dimensions



Removable soft close
seat





CONTROL SYSTEMS

(refer to page 20 for details)

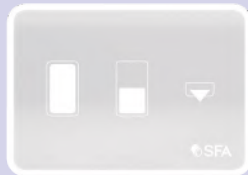
Comfort



Premium

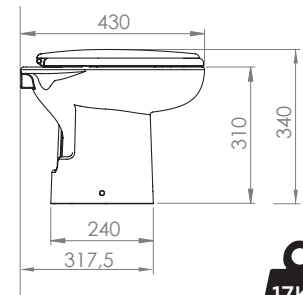
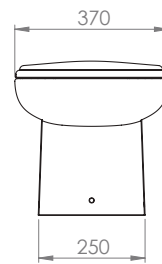


Luxe



DIMENSIONS

(mm)



TECHNICAL FEATURES

Discharge parameters	Vertical : 3 m / Horizontal : 30 m
Non return valve	Integrated
Outlet diameter	38 mm or 25 mm
Motor power	300 W (12 V), 360 W (24 V)
Electricity consumption	Dependent upon the control system (details on page 5)
Water consumption	Dependent upon the control system from 1.2 L to 2.4 L
Water use	<ul style="list-style-type: none"> - Onboard freshwater (integrated solenoid valve) or outside pressurised water - Minimum dynamic pressure: 1.7 bar - Recommended pump flow rate 11 L / min

REFERENCES

VOLTAGE SELECTION

SANIMARIN 31 12V	SN31-12V	3308815099545
SANIMARIN 31 24V	SN31-24V	3308815099552

⊕ CONTROL SYSTEM SELECTION

MARINE COMFORT SWITCH	SN-SWITCH1	3308815099644
MARINE PREMIUM DUAL BUTTON	SN-SWITCH2	3308815099651
MARINE LUXE CONTROL PANELWHITE	SN-SWITCH3	3308815099668
MARINE LUXE CONTROL PANELBLACK	SN-SWITCH4	3308815099675
MARINE LUXE CONTROL PANEL	SN-SWITCH5	3308815099682

SANIMARIN 32

REDUCED HEIGHT


MADE IN
FRANCE

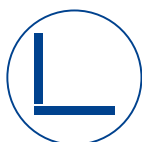
Easy to install against a vertical partition.



Acoustic
pressure:
52 dB(A)



Mounting
on a raised step



Vertical
back line



Removable soft close
seat





CONTROL SYSTEMS

(refer to page 20 for details)

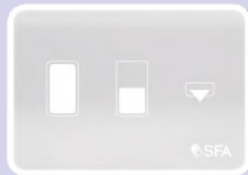
Comfort



Premium

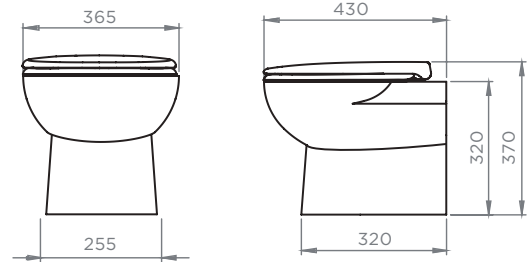


Luxe



DIMENSIONS

(mm)



TECHNICAL FEATURES

Discharge parameters	Vertical : 3 m / Horizontal : 30 m
Non return valve	Integrated
Outlet diameter	38 mm or 25 mm
Motor power	300 W (12 V), 360 W (24 V)
Electricity consumption	Dependent upon the control system (details on page 5)
Water consumption	Dependent upon the control system from 1.2 L to 2.4 L
Water use	<ul style="list-style-type: none"> - Onboard freshwater (integrated solenoid valve) or outside pressurised water - Minimum dynamic pressure: 1.7 bar - Recommended pump flow rate 11 L / min

REFERENCES

VOLTAGE SELECTION

SANIMARIN 32 12V	SN32-12V	3308815099569
SANIMARIN 32 24V	SN32-24V	3308815099576

⊕ CONTROL SYSTEM SELECTION

MARINE COMFORT SWITCH	SN-SWITCH1	3308815099644
MARINE PREMIUM DUAL BUTTON	SN-SWITCH2	3308815099651
MARINE LUXE CONTROL PANELWHITE	SN-SWITCH3	3308815099668
MARINE LUXE CONTROL PANELBLACK	SN-SWITCH4	3308815099675
MARINE LUXE CONTROL PANEL	SN-SWITCH5	3308815099682

SANIMARIN 41

STANDARD HEIGHT



MADE IN
FRANCE

Its traditional design ensures
the most comfortable seating.



Acoustic
pressure:
46 dB(A)



Comfortable



Removable soft close
seat

NEW / Optional



SANISEAT+

Heated toilet seat with bidet

- Soft-close seat and cover
- Remote control
- Temperature control (clear water, drying and seat)
- Self-cleaning spray head and jets
- Power supply voltage: 220V





CONTROL SYSTEMS

(refer to page 20 for details)

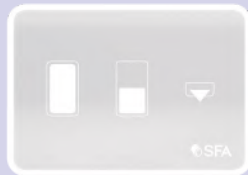
Comfort



Premium

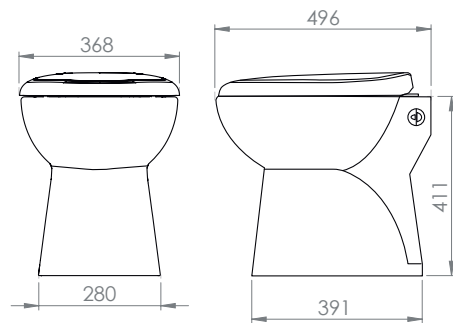


Luxe



DIMENSIONS

(mm)



TECHNICAL FEATURES

Discharge parameters	Vertical : 3 m / Horizontal : 30 m
Non return valve	Integrated
Outlet diameter	38 mm or 25 mm
Motor power	300 W (12 V), 360 W (24 V)
Electricity consumption	Dependent upon the control system (details on page 5)
Water consumption	Dependent upon the control system from 1.2 L to 2.4 L
Water use	<ul style="list-style-type: none"> - Onboard freshwater (integrated solenoid valve) or outside pressurised water - Minimum dynamic pressure: 1.7 bar - Recommended pump flow rate 11 L / min

REFERENCES

VOLTAGE SELECTION

SANIMARIN 41 12V	SN41-12V	3308815099583
SANIMARIN 41 24V	SN41-24V	3308815099590

⊕ CONTROL SYSTEM SELECTION

MARINE COMFORT SWITCH	SN-SWITCH1	3308815099644
MARINE PREMIUM DUAL BUTTON	SN-SWITCH2	3308815099651
MARINE LUXE CONTROL PANELWHITE	SN-SWITCH3	3308815099668
MARINE LUXE CONTROL PANELBLACK	SN-SWITCH4	3308815099675
MARINE LUXE CONTROL PANEL	SN-SWITCH5	3308815099682

SANIMARIN 43

STANDARD HEIGHT

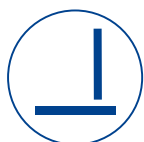


MADE IN
FRANCE

With its pure and simple lines,
it fits easily into all spaces.



Acoustic
pressure:
46 dB(A)



Standard height,
installed at floor level



Optimal size



Removable soft close
seat





CONTROL SYSTEMS

(refer to page 20 for details)

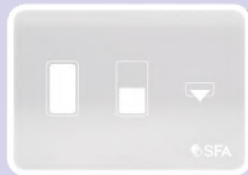
Comfort



Premium

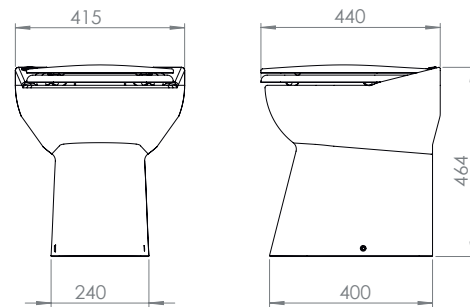


Luxe



DIMENSIONS

(mm)



TECHNICAL FEATURES

Discharge parameters	Vertical : 3 m / Horizontal : 30 m
Non return valve	Integrated
Outlet diameter	38 mm or 25 mm
Motor power	300 W (12 V), 360 W (24 V)
Electricity consumption	Dependent upon the control system (details on page 5)
Water consumption	Dependent upon the control system from 1.2 L to 2.4 L
Water use	<ul style="list-style-type: none"> - Onboard freshwater (integrated solenoid valve) or outside pressurised water - Minimum dynamic pressure: 1.7 bar - Recommended pump flow rate 11 L / min

REFERENCES

VOLTAGE SELECTION

SANIMARIN 43 12V	SN43-12V	3308815099606
SANIMARIN 43 24V	SN43-24V	3308815099613

⊕ CONTROL SYSTEM SELECTION

MARINE COMFORT SWITCH	SN-SWITCH1	3308815099644
MARINE PREMIUM DUAL BUTTON	SN-SWITCH2	3308815099651
MARINE LUXE CONTROL PANELWHITE	SN-SWITCH3	3308815099668
MARINE LUXE CONTROL PANELBLACK	SN-SWITCH4	3308815099675
MARINE LUXE CONTROL PANEL	SN-SWITCH5	3308815099682

SANIMARIN BEST

STANDARD HEIGHT



MADE IN
FRANCE

Perfect blend of modernity and comfort,
it is the most luxurious in the range.



Acoustic
pressure:
46 dB(A)



Contemporary
design



Comfortable



Removable soft close
seat





CONTROL SYSTEMS

(refer to page 20 for details)

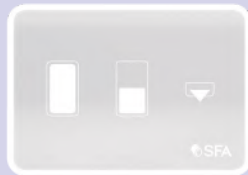
Comfort



Premium

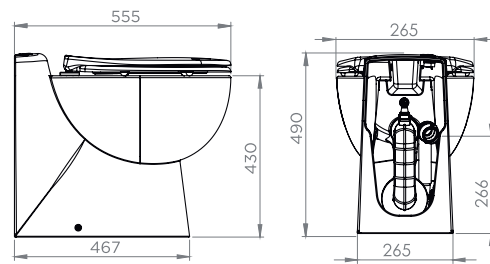


Luxe



DIMENSIONS

(mm)



TECHNICAL FEATURES

Discharge parameters	Vertical : 3 m / Horizontal : 30 m
Non return valve	Integrated
Outlet diameter	38 mm or 25 mm
Motor power	300 W (12 V), 360 W (24 V)
Electricity consumption	Dependent upon the control system (details on page 5)
Water consumption	Dependent upon the control system from 1.2 L to 2.4 L
Water use	<ul style="list-style-type: none"> - Onboard freshwater (integrated solenoid valve) or outside pressurised water - Minimum dynamic pressure: 1.7 bar - Recommended pump flow rate 11 L / min

REFERENCES

VOLTAGE SELECTION

SANIMARIN BEST 12V	SNBEST-12V	3308815099620
SANIMARIN BEST 24V	SNBEST-24V	3308815099637

⊕ CONTROL SYSTEM SELECTION

MARINE COMFORT SWITCH	SN-SWITCH1	3308815099644
MARINE PREMIUM DUAL BUTTON	SN-SWITCH2	3308815099651
MARINE LUXE CONTROL PANELWHITE	SN-SWITCH3	3308815099668
MARINE LUXE CONTROL PANELBLACK	SN-SWITCH4	3308815099675
MARINE LUXE CONTROL PANEL	SN-SWITCH5	3308815099682

SANIMARIN PUMP

GREY WATER PUMP



MADE IN
FRANCE

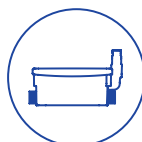
Recovers grey water on board.



Acoustic
pressure:
46 dB(A)



Small dimensions



2 low inlets



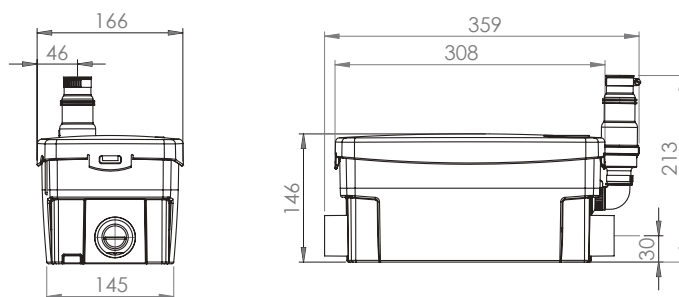
Odourless
Integrated active carbon filter





Sanimarin Pump must be installed in the direction of movement of the boat.

DIMENSIONS (mm)



TECHNICAL FEATURES

Possible connections	Sink, shower, washbasin
Vertical pumping height	4 m
Exterior check valve	Removable
Outlet diameter	22 to 32 mm
Inlets	2 low inlets 40 mm (right or left-hand)
Activation level	65 mm
Max waste water temperature	35 °C
Supply voltage	12 V or 24 V
Motor power rating	12 V : 70 L/min, I max = 28 A, Pmax = 340 W 24 V : 80 L/min, I max = 15 A, Pmax = 360 W

REFERENCES

DESIGNATION	CODE	EAN
Sanimarin Pump Up 12 V	D2UP12V	3308815074665
Sanimarin Pump Up 24 V	D2UP24V	3308815074672

CONTROL SYSTEMS



SN-SWITCH1

THE ELECTRIC SWITCH **COMFORT**

- A flushing position
 - A maceration - pumping position
- The duration of each cycle is controlled by the user.



SN-SWITCH2

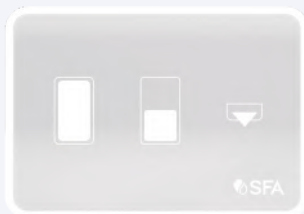
ELECTRONIC BUTTON **PREMIUM**

- Two automatic cycles: Normal 2.4 L / Eco 1.2 L
 - Dry mode bowl: press and hold the Normal mode button
 - A Tank indicator light showing that the black water tank is full
- To ease the installation, this system can be installed directly on the bowl (except Sanimarin 31).

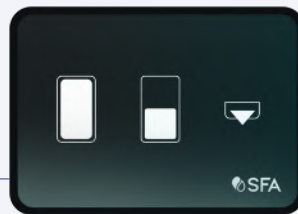
ELECTRONIC KEYBOARD **LUXE**

- Two automatic cycles: Normal 2.4 L / Eco 1.2 L
- A Tank indicator light showing that the black water tank is full
- Dry mode bowl: key pressed to empty the bowl completely in choppy seas

NEW
Availability expected: June 2025



SN-SWITCH3



SN-SWITCH4



SN-SWITCH5

The **new optical keyboard** combines elegance and modernity while offering more customizations and features.

In addition to the current features (dual flush, bowl emptying, full black water tank indicator), this new model offers several innovative options:

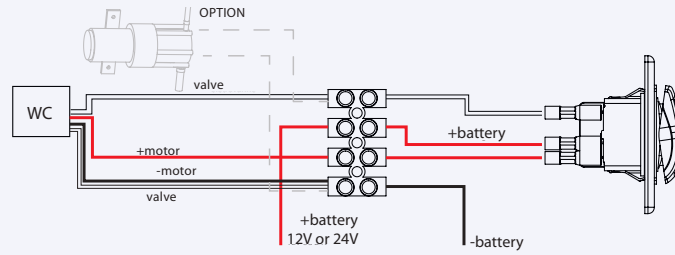
- Glass front panel available in white or black, with scratch-resistant and hydrophobic treatments
- Silicone protective case
- Customized programming of macerating cycles
- Colours choice in standby mode or deactivation
- Adjustable backlighting for flush buttons with intensity control or deactivation
- Activation or deactivation of flush sound signals
- Compatibility with the current electronic control box
- Low power consumption

ELECTRICAL INSTALLATION

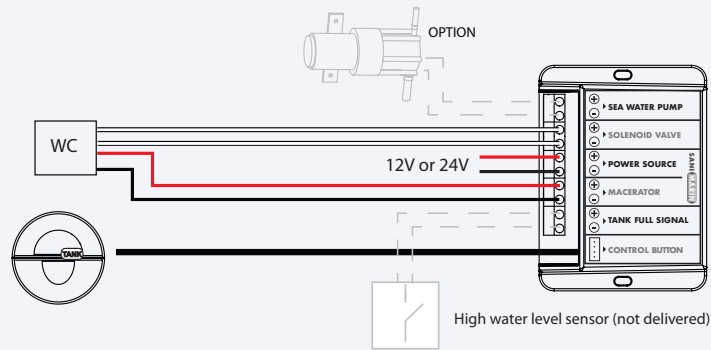
MAXIMUM ELECTRICAL AUTONOMY

INSTALLATION DIAGRAMS

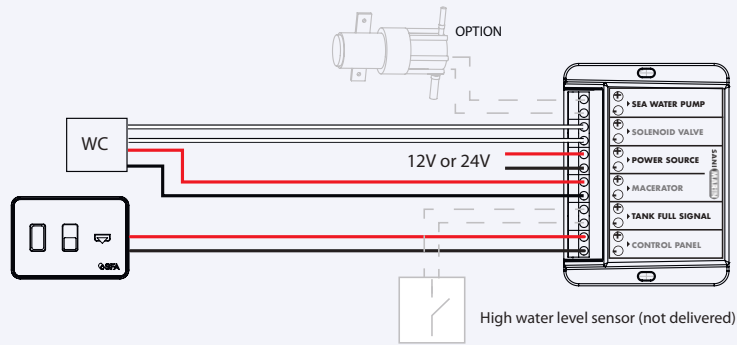
COMFORT



PREMIUM

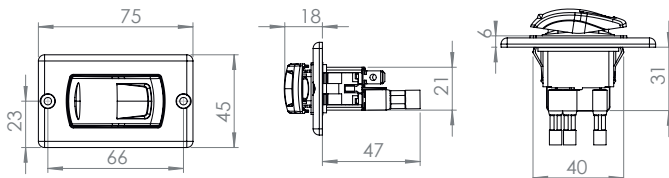


LUXE

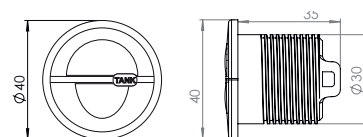


DIMENSIONS

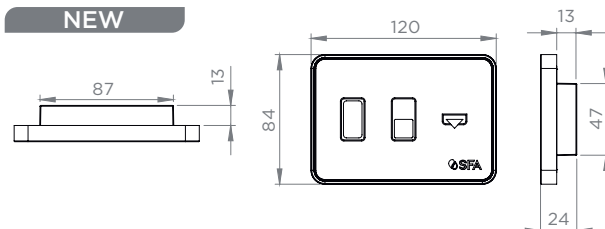
Electric switch Comfort



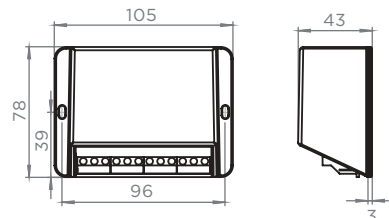
Electronic button Premium



Electronic keyboard Luxe



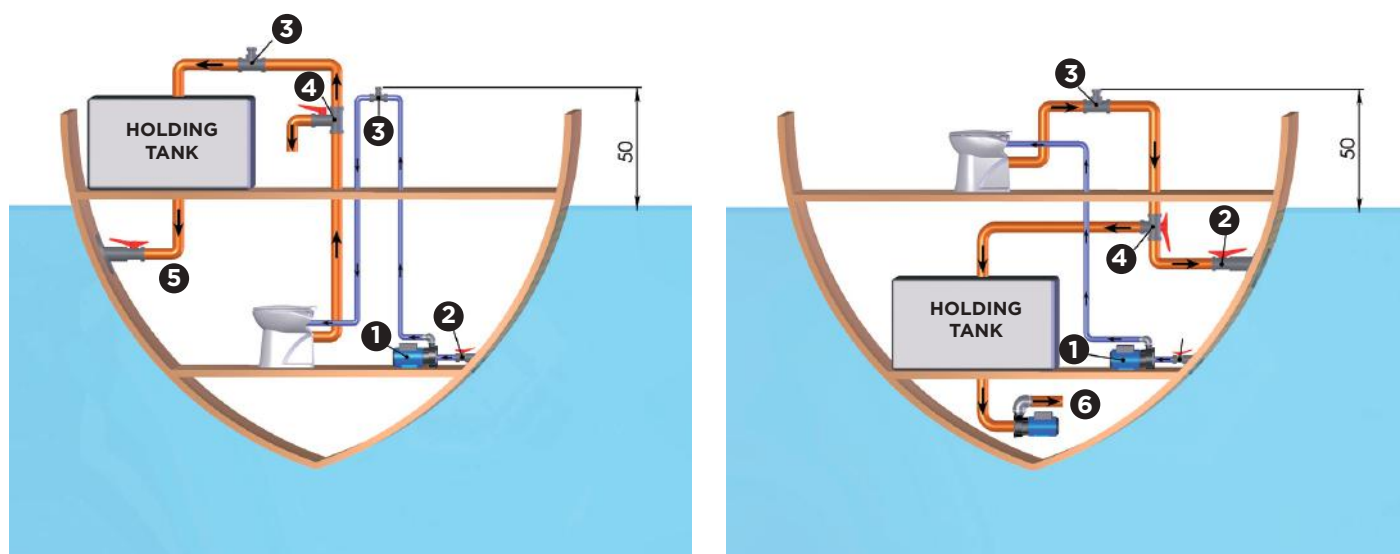
Electronic control box for Premium and Luxe systems



HYDRAULIC INSTALLATION

WATER, THE MAIN RESOURCE TO BE SAVED

The automatic cycles can be kept very short, with consumption levels of just 1.2 L per cycle. The water used can be freshwater or seawater, to be even more environmentally friendly.



- 1 Sea water pump
- 2 Stop cock

- 3 Vent
- 4 3 way valve

- 5 Gravity drainage to the sea from the holding tank
- 6 Discharge to the sea from the holding tank

OPTION : SANIMARIN SEA PUMP



- To provide pumped salt or fresh water for your sanitary fittings directly from outside the boat
- Flow max: 11 L / min
- Maximum suction lift: 2 m

DESIGNATION

Sanimarin Sea Pump 12 V

Sanimarin Sea Pump 24 V

CODE

SEAPUMP12V

SEAPUMP24V

EAN

3308810033452

3308810033469

110 V - 220 V RANGE

ROBUST AND COMFORTABLE WCS

A comprehensive range of marine wcs to meet every requirement

CONTROL SYSTEM



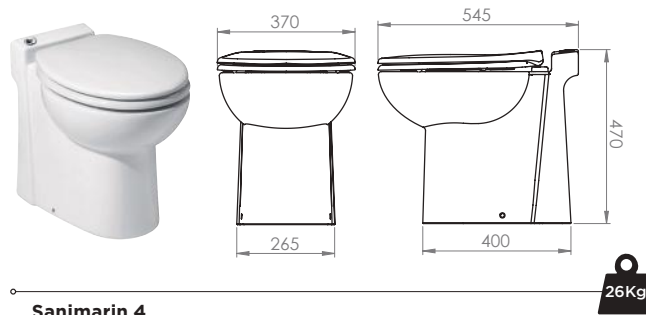
Electric button **Dual Flush** on the WC unit.

- Two automatic cycles:
Normal: 5 L. / Eco: 3.6 L.
- Press both buttons simultaneously to place the WC in "dry bowl" mode.

DIMENSIONS (mm)



Sanimarin 43



Sanimarin 4

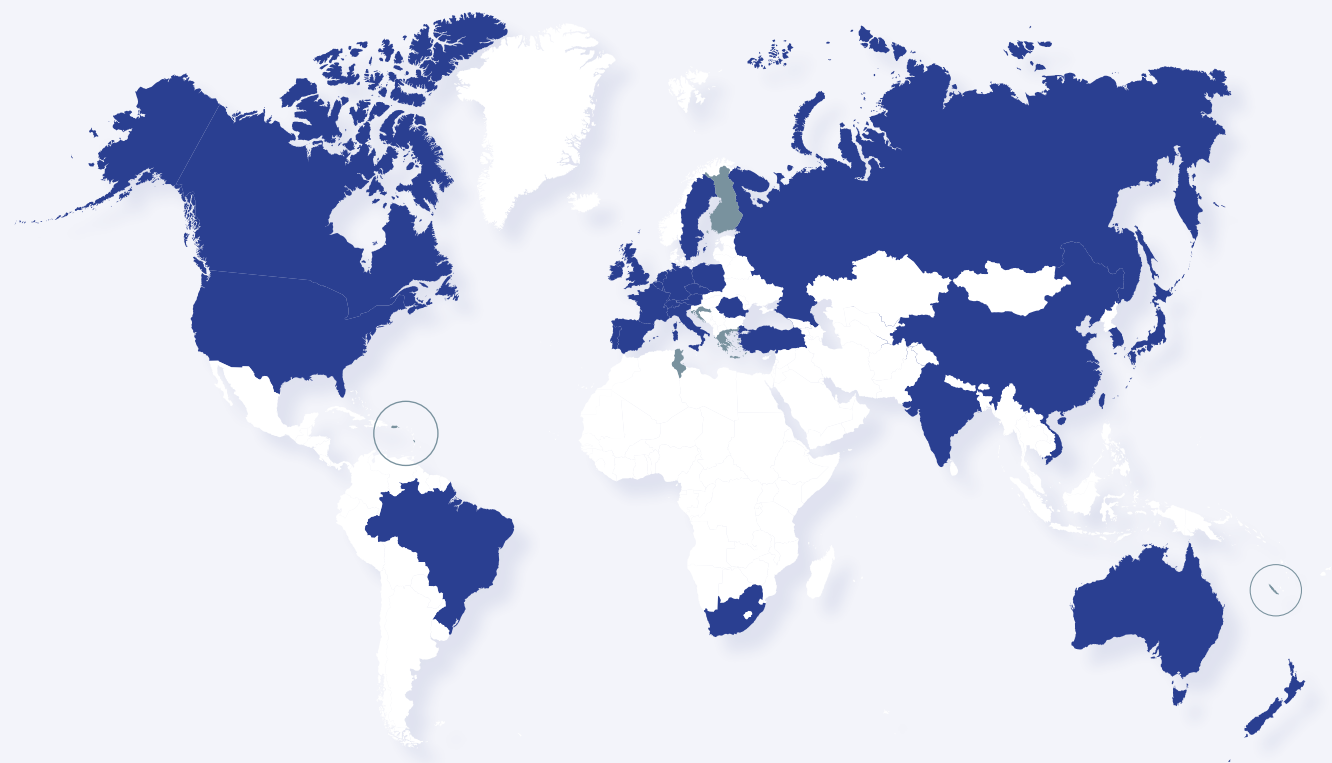
TECHNICAL FEATURES

Pumping height	3 m
Horizontal pumping distance	30 m
Non return valve	Integrated
Outlet diameter	32 mm
Supply voltage	110 V, 220 V
Motor power	550 W (220 V), 800 W (110 V)
Water consumption	Eco : 3,6 L / Normal : 5 L
Water use	- Onboard freshwater (integrated solenoid valve) - Minimum dynamic pressure : 1.7 bar

REFERENCES

DESIGNATION	CODE	EAN
Sanimarin 4 Dual Flush 110 V	SN4110VDF	3308815076553
Sanimarin 4 Dual Flush 220 V	SN4220VDF	3308815076560
Sanimarin 43 Dual Flush 110 V	SN43110VDF	3308815076591
Sanimarin 43 Dual Flush 220 V	SN43220VDF	3308815076607

SFA MARINE TOILETS AVAILABLE WORLDWIDE



Subsidiaries

GERMANY
SFA DEUTSCHLAND
Dietzenbach
T +49 060 74 30928 0

AUSTRIA
SFA AUSTRIA
Wien
T +43 1 710 60 70

BELGIUM
SFA BENELUX
Echt
T +31 475 487100

SPAIN
SFA ESPAÑA
Barcelona
T +34 93 544 60 76

FRANCE
SFA
Paris
T +33 1 44 82 39 00

IRELAND
SFA SANIFLO
Edenderry
T +353 46 9733 102

ITALY
SFA ITALIA
San Donato Milanese
T +39 03 82 61 81

POLAND
SFA POLAND
Warszawa
T +48 22 732 00 32

PORTUGAL
SFA
Sintra
T +35 21 911 27 85

CZECH REPUBLIC
SFA SANIBROY
Praha
T +420 266 712 855

ROMANIA
SFA SANIFLO
Bucuresti
T +40 787 634 557

UNITED KINGDOM
SFA SANIFLO
Watford
T +44 208 842 0033

SWEDEN
SFA SUEDE
Sollentuna
T +46 8 404 15 30

SWITZERLAND
SFA SWITZERLAND
Wangen
T +41 32 631 04 74

TURKEY
SFA SANIHYDRO
Istanbul
T +90 212 275 30 8

CHINA
SFA CHINA
Shanghai
T +86 21 6218 8969

INDIA
SFA PUMPS INDIA
Mumbai
T +91 89765 02855

SOUTH KOREA
SFA Korea
06108 Seoul
sfa-korea.co.kr

JAPAN
SFA JAPAN
T +81 3-5623-3151

RUSSIA
SFA RUS
Moscow
T +7 495 258 29 51

VIETNAM
SFA VIETNAM
Ho Chi Minh City
T +84 977 88 93 64

AUSTRALIA
SFA AUSTRALIA
Chatswood
T +61 13 00 554 779

NEW ZEALAND
SFA NEW ZEALAND
Auckland
T +64 800 107 264

SOUTH AFRICA
SANIFLO AFRICA
Montague Gardens
T +27 21 286 00 28

BRAZIL
SFA
São Paulo
T +55 11 3052-229

CANADA
SFA SANIFLO
Cambridge
T +1 800 363 5874

USA
SFA SANIFLO
Edison
T +1 800 571 8191

Distributors

CROATIA
ELEKTRO YACHT SERVIS d.o.o
T + 385 51 854 874

FINLAND
OY MARITIM
Helsinki
T +358 10 2740 300

GREECE
ENEQ
Allimos
T +30 210 988 6621

HONG KONG
STORM FORCE MARINE LTD
Kwun Tong
T. + 852 2866 0114

MARTINIQUE
CARAIBE MARINE
Le Marin
T +596 74 80 33

SAINT MARTIN
Île Marine
T +590 290 860

NEW CALEDONIA
MARINE CORAIL
Noumea
T +687 25 44 60

A list of all our distributors
worldwide is available on our
website sanimarin.com

SFA
41 bis Avenue Bosquet 75007 Paris
Tél. : +33 1 44 82 39 66
sanimarin@sfa.fr

www.sanimarin.com




Shaking up water